

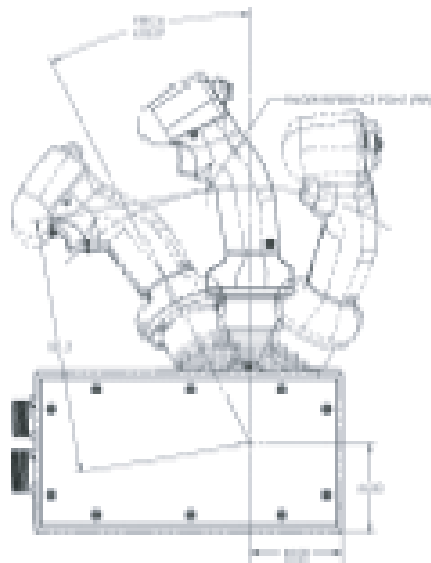
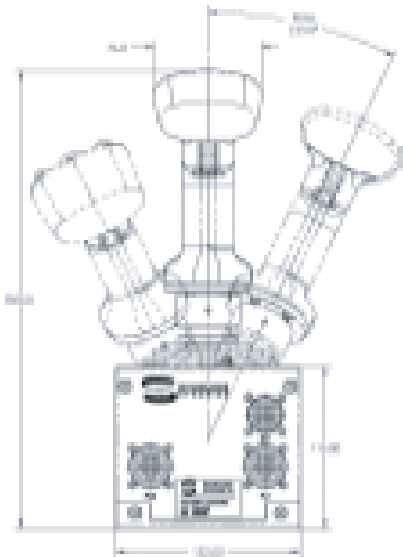


STIRLING DYNAMICS

STANDARD HIGH FORCE SIMULATOR SIDESTICK PART NUMBER : 020A000



- FULLY ACTIVE FORCE-FEEDBACK
- 80lbf(356N)CONTINUOUS FORCE (PITCH)
- $\pm 25^\circ$ ACTIVE TRAVEL
- COMPACT & LIGHTWEIGHT
- RE-CONFIGURABLE
- RUGGEDISED DESIGN
- 100lbf(445N)OVERLOAD FORCE
- VARIETY OF GRIPS AVAILABLE
- DUAL OR SINGLE COCKPIT CONFIGURATIONS
- ZERO LATENCY STICK LINKAGE
- 15.2lbs(6.9Kg)
- WIDE VARIETY OF COMMS :
ETHERNET,MIL1553,SCRAMNET,CANBUS,SERIAL



お問い合わせ先：
株式会社リアルビズ
〒101-0042 東京都千代田区神田東松下町35番地 第2アキヤマビル 3階
Tel.03-5207-6862(代表) Fax.03-5207-6865
E-mail:information@realviz.co.jp URL:http://www.realviz.co.jp



WWW.STIRLING-DYNAMICS.COM